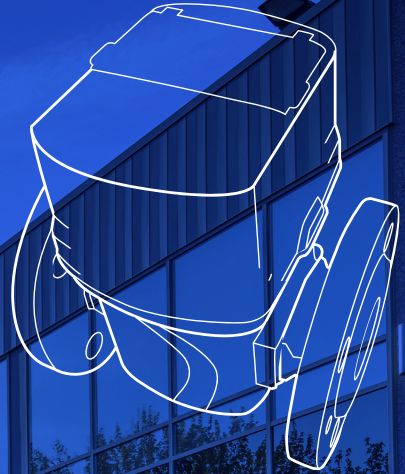


# Measure up with Cordone!



The world's most advanced ultrasonic C&I meter

# Cordonel. Accurate at any flow rate.

“Cordonel is more than a meter. It’s the future of smart water.”

Dan Pinney,  
Vice President, Global Water  
Product Management

If you’re like most utilities, a small percentage of your total number of meters are commercial and industrial (C&I). But the associated water flow is likely the majority of usage—so accurately capturing C&I flow is the key to maximizing your revenue.

Cordonel® is an innovative ultrasonic C&I water meter from Sensus with patented flow technology that measures low- to high-volume flow with unmatched accuracy. Providing temperature information, alarms and data storage with real UOD0, Cordonel leaves all competitors in its wake.



# Superior by every measure



Sizes from 1 1/2 inches to 4" available



Flow range varies by meter size with lowest flow range starting at 0.06 gpm and a normal operating range of 0.16 gpm to 220 gpm



Eliminates variance and degradation over time as a result of unique flow tube design.



Offers complete system visibility with integrated pressure management.



Monitors system health with near real-time alarms and alerts.



Delivers flexible and compact installation options with no need for straight lay lengths of pipe upstream or downstream (UOD0).



Reduces effects of particles, sand and entrained air with no interference in the flow tube.



Ensures security with encrypted data (AES 256 standard).



Withstands the installation elements with robust carbon fiber composite casing.



Includes 20-year lifetime warranty.

# Dependable technology, precision engineering

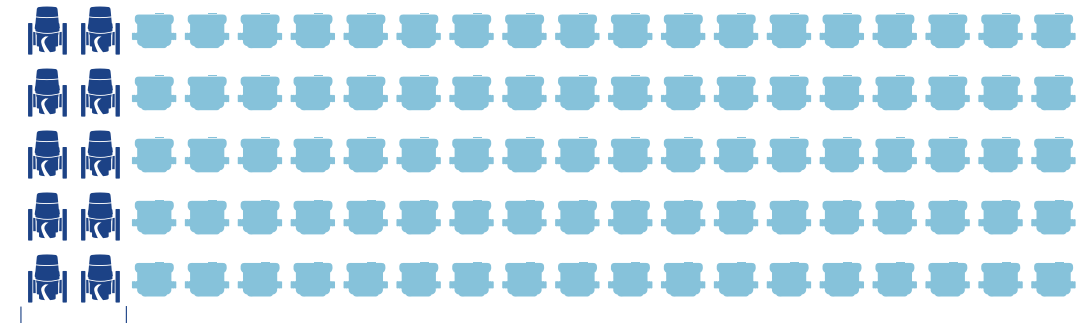
Durable and reliable, the Cordonel meter is flexible enough to accommodate virtually all commercial, industrial and agricultural needs. With horizontal and vertical pipe orientations—no straight upstream and downstream pipe required—measurements are accurate even behind a 90-degree bend.

Cordonel easily integrates with the Sensus FlexNet™ long-range radio solution, third-party radio solutions and pulse output for integration into SCADA solutions. Data always stays secure with the protection of 256-bit AES encryption.

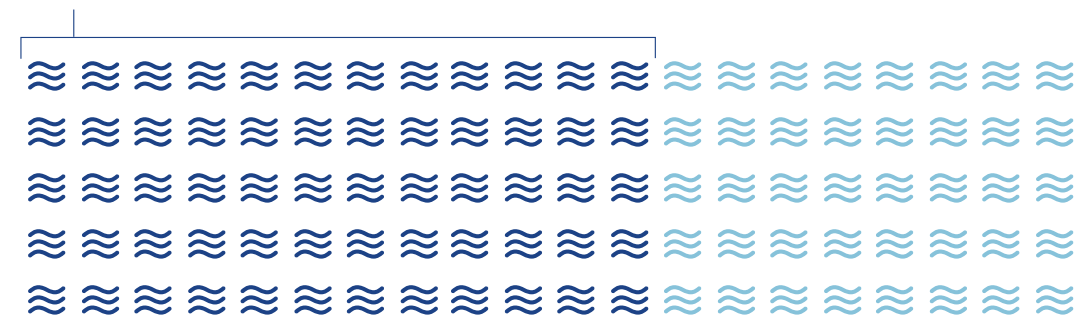
Cordonel's patented flow rate technology ensures that every drop of water passes through one of its three individual measuring paths, delivering accuracy unmatched in the industry. Plus, with solid-state ultrasonic engineering and reliable readings over its 20-year battery life, Cordonel doesn't just boost revenue. It also delivers peace of mind.

## Capture C&I flow. Capture revenue.

10% or less of a utility's meters



C&I meters

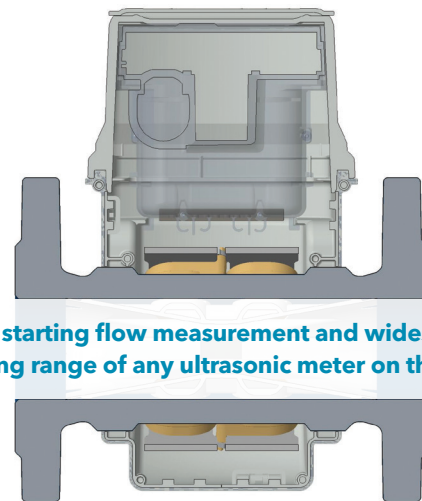


40-60% of a utility's measured water flow

# Unrivaled flow-tube innovation

Mechanical meters start at 99% accuracy—and that's great. But this accuracy degrades over time, forcing utilities to repeatedly test and recalibrate. And as accuracy continues to deteriorate, revenue is lost. But Cordonel's solid-state technology stays accurate for the long haul. There's nothing to wear out, so there's no calibration and no testing. You can be 100% sure you capture every drop.

But it's our patented flow-tube technology that truly changes the game.



Lowest starting flow measurement and widest normal operating range of any ultrasonic meter on the market

## Why infer when you can measure?

First of its kind, Cordonel uses a flow-rate technology that, with an increased meter size and patented flow tube, forces water through the tube to capture three separate views of flow with no pressure loss. Whether the water flow is low or at a maximum, there are no dead zones—so no drop is missed.

Cordonel offers a completely smooth surface, ensuring that nothing interferes with the water flow through the flow tube.

Revenue generated from the water flowing through a Cordonel meter **will pay for that meter in about a day.**



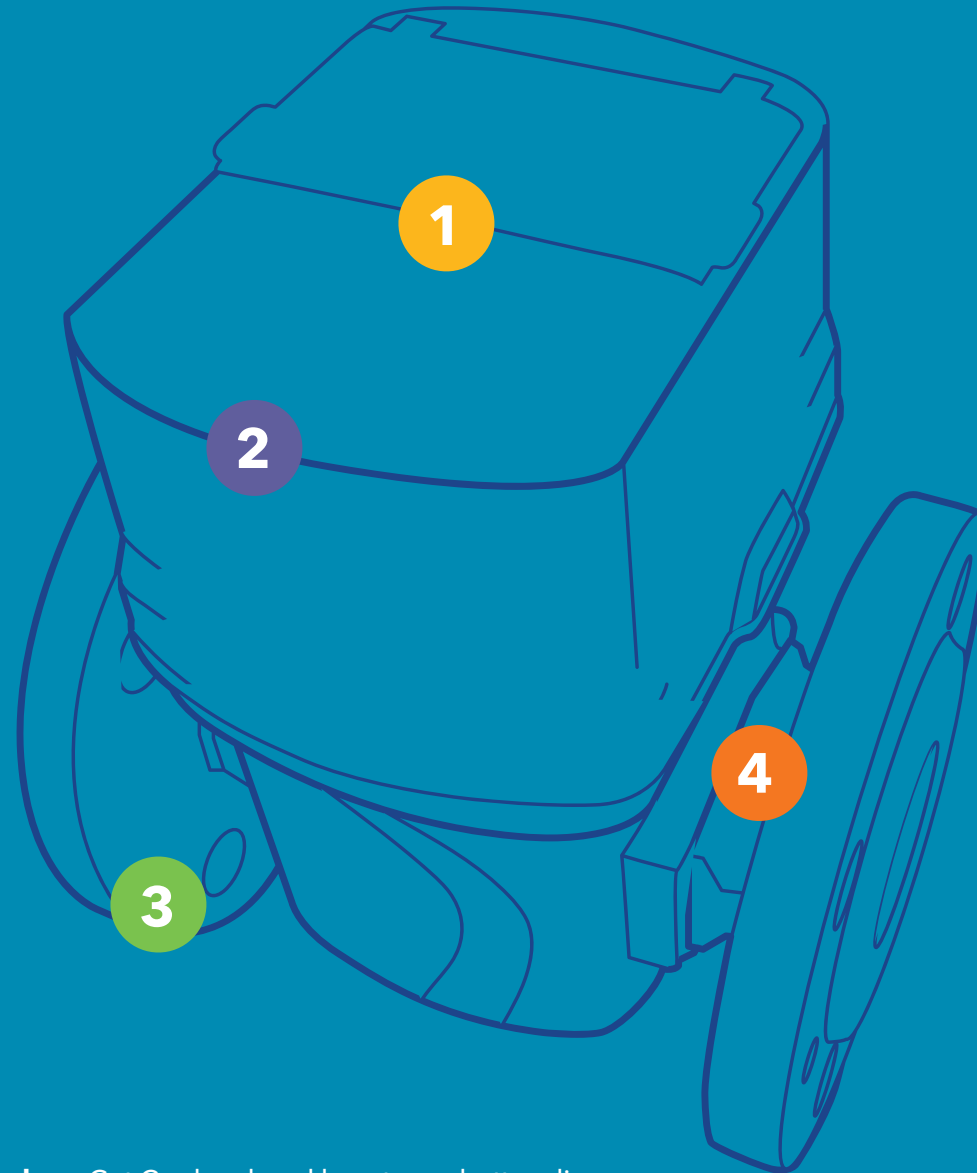
# Robust, reliable and dependable

## 1 20-year warranty

Cordonel is engineered to be power-efficient, providing 20 years of usable life while maintaining accuracy and performance.

## 2 Durability

Our advanced metrology electronics are hermetically sealed and protected by heavy-duty carbon fiber composite casing, which is also resistant to vandalism and physical attack.



## 3 Stable structure

A solid-state structure means no moving parts—and no wear and tear. Rust, sand, external vibration or magnetic interference won't influence meter accuracy.

## 4 Flexibility

Cordonel fits virtually all commercial, industrial and agricultural needs, including horizontal and vertical pipe orientations, with no straight upstream and downstream pipe required.

# Information beyond usage

Cordonel is not just a meter. It's a sensor that enables the digitalization of water networks. Its accuracy, normal operating range and overall metrology performance are the best available in its class. Cordonel also provides new information to network operators, such as non-invasive temperature readings and optional integrated pressure measurement, ultimately helping to maintain water quality and balance pressure levels in the pipe network.



Accurate water flow measurements



Incorporated temperature readings



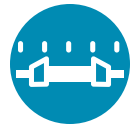
Integrated pressure measurements

# Why Cordonel wins for C&I water measurement



## ✓ Patented measurement technology

Cordonel's unique flat parabolic fin flow tube technology ensures that all the water flowing through—at a very low or very high rate—is accurately measured via one of the three independent ultrasonic detection paths.



## ✓ Flow range

Cordonel is superior to any other battery-powered C&I meter on the market today. Accuracy over a wide flow range enables the meter to fulfill more applications, simplifying design and inventory management. Many

competitive products offer smaller flow range measurement, significantly underperforming when compared to Cordonel.



## Installation flexibility

✓ Cordonel's innovative flow tube design delivers true UOD0 capability, with no pipe-length or orientation limitations placed upstream or downstream of the meter, making it easy to install with existing assets. Nearly every competitor requires a length of straight pipe upstream or downstream from the meter to ensure effects of any pipe bends on the flow, such as swirl, are minimized.



## ✓ Communications

The combination of advanced ultrasonic technology and communications makes Cordonel a great C&I meter for both Automatic Meter Reading (AMR) and Advanced Metering Infrastructure (AMI) with support for a variety of radio communications. Multiple communication options ensure flexibility and scalability as your network evolves.





## About Sensus

Sensus, a Xylem brand, provides remotely-managed products and solutions that deliver the right data at the right time for investor-owned utilities, cooperatives and municipalities. As part of Xylem's digital portfolio, our smart devices connect with a variety of communication technologies to help customers make timely decisions that optimize electric, gas and water systems.